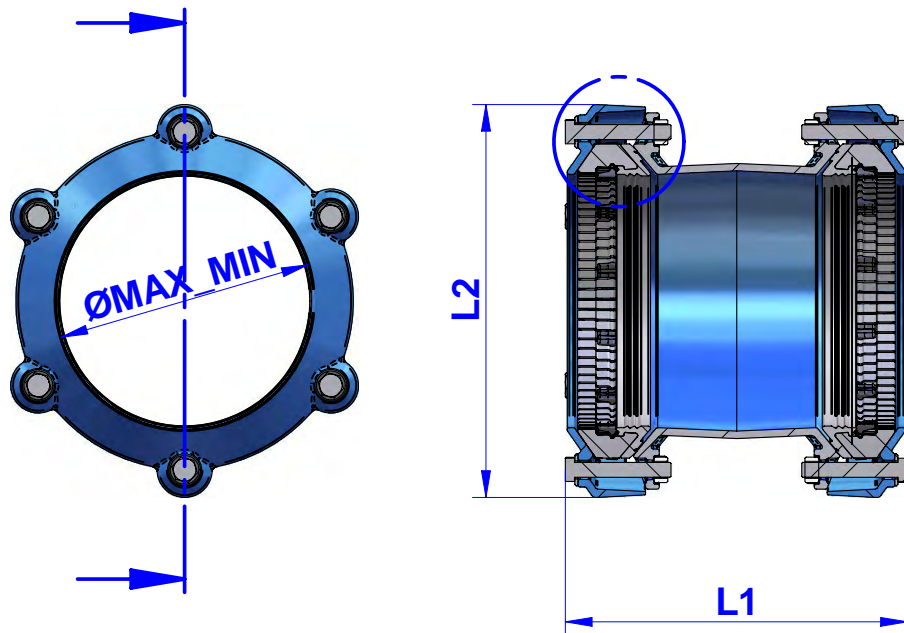
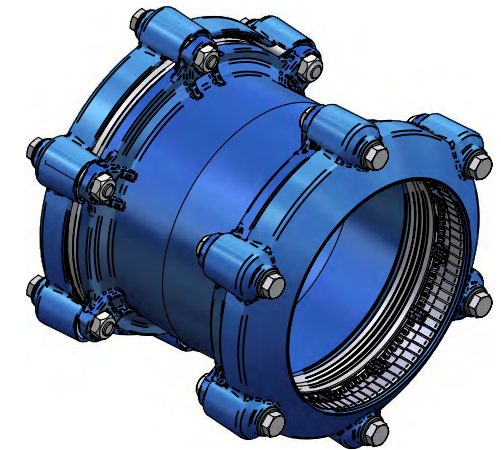
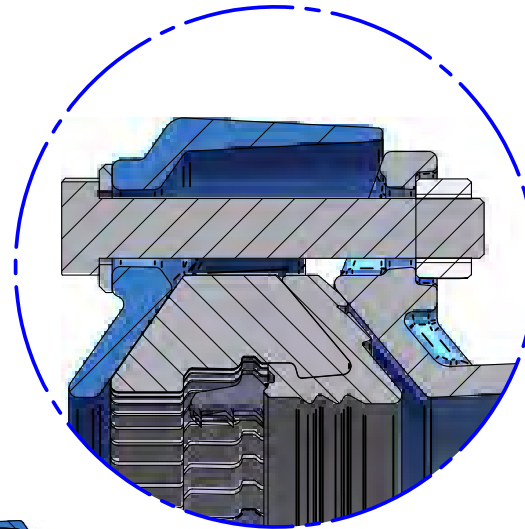


UNION UNIVERSAL AUTOBLOCANTE SELF-LOCKING UNIVERSAL COUPLING

UR-01



REF.	ØMIN	ØMAX	L1	L2
UR-01-DN050	46	70	240	187
UR-01-DN065	70	95	240	212
UR-01-DN080	88	123	250	240
UR-01-DN100	108	143	250	260
UR-01-DN125	133	168	260	285
UR-01-DN150	159	194	260	311
UR-01-DN200	200	235	295	370
UR-01-DN250	250	285	305	420
UR-01-DN300	315	350	315	485



Nº	ELEMENTO-ELEMENTS	MATERIAL	RECUBRIMIENTO-COATING
1*	MANGUITO / Coupling	Fund. Nodular GGG-50 / Nodular cast iron GGG-50	250 u EPOXI
2*	CONTRABRIDA / Counter-flange	Fund. Nodular GGG-50 / Nodular cast iron GGG-50	250 u EPOXI
3*	TORNILLERIA / Bolts, nuts, washers	F-114 Calidad 8.8 / F-114 Qualiti 8.8	DACROMET
4*	MORDIENTE / Metal insets	F-114	BICROMATADO
5*	JUNTA / Gasket	EPDM	
6*	ANILLO FUELLE / Ring bellows	POM	